



CHEMICAL SANITIZING UNDERCOUNTER GLASSWASHER

GW-100

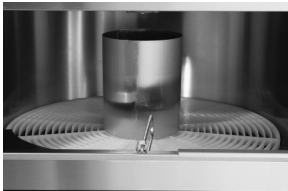
Low Temperature
Undercounter Glasswasher



FEATURES

- Cleans and sanitizes up to 1000 2-1/2" glasses per hour.
- Hands-free glass activated on/off stop is safe and convenient.
- 11-3/4" Height Clearance
- 120V (GW-100) with built-in 1.5kW electric tank heater maintains the recirculated wash water to the recommended 140°F wash temperature.
- Compatible with both Iodine and Chlorine Sanitizers.
- Simple controls for operation and cleaning.
- All stainless steel construction assures trouble free service and a long life.
- Optional rinse temperature allows flexible sanitizing options.
- Poly Pro™ circular conveyor is extremely durable and reduces chipping and breakage of glassware.
- Double wall construction for quiet back bar operation.
- Internal chemical storage.
- Built-in chemical pumps with primer switches.
- Includes drain tray and waste collector.

CMA MODEL: GW-100



Stainless steel wash/rinse chamber.



Independent spray arms blast water from the top and bottom for optimum cleaning, sanitizing and rinsing.

AVAILABLE OPTIONS

- 4" Stainless Steel Legs

CMA
Energy
MIZER®
Registered Trademark

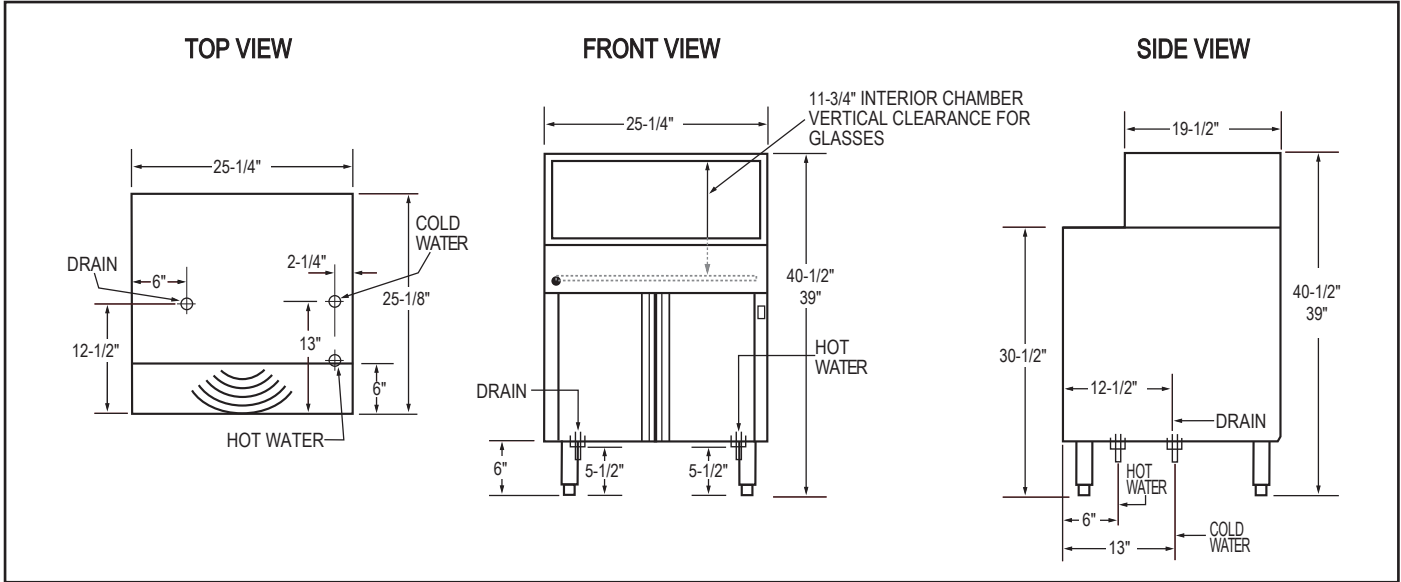




GW-100
Chemical Sanitizing
Undercounter Glasswasher

WARNINGS:

- Plumbing connections must be made by a qualified service company who will comply with all available Federal, State, and Local Health, Plumbing and Safety codes.
- CMA recommends utilizing a water softening system to maintain water hardness measurements of 3.5 gpg (grains per gallon) or less. This will assure maximum results and optimum operation of the dishmachine.



Specifications:

| MODEL GW-100 | USA | METRIC | | USA | METRIC |
|--|---------|------------|------------------------------------|--------------------------------|---------------------|
| OPERATING CAPACITY (2-1/2") GLASSES PER HOUR | 1000 | 1000 | DIMENSIONS | DEPTH | 25-1/8" (63.8cm) |
| OPERATING TEMPERATURES | | | | WIDTH | 25-1/4" (64.1cm) |
| INLET WATER. (HOT) RECOMMENDED | 140°F | (60°C) | HEIGHT | 39"-40-1/2" (99-102.8cm) | |
| INLET WATER. (COLD) | 75°F | (24°C) | MAXIMUM CLEARANCE FOR GLASSWARE | 11-3/4" (29.84cm) | |
| WATER CONSUMPTION | | | ELECTRICAL RATING GW-100 | VOLTS 120/60/1 | AMPS 14.4 |
| HOT WATER (INITIAL FILL) | 3 GAL | (11.25 L) | TANK HEATER - GW-100 | 1.5kW | |
| HOT WATER PER HOUR (MAX) | 12 GAL | (45.42 L) | APPROXIMATE SHIPPING WEIGHT | 187# | (84.8kg) |
| COLD WATER PER MINUTE (APPROX) | 2.8 GPM | (10.6 LPM) | SHIPPING DIMENSIONS | PALLET & BOX @ 29" X 28" X 41" | |
| WATER REQUIREMENTS | | | | | |
| HOT WATER INLET | 1/2" | (1.27cm) | | | |
| COLD WATER INLET | 1/2" | (1.27cm) | | | |
| DRAIN (MAX) | 1-1/2" | (3.81cm) | | | |

Summary Specifications: Model GW-100

The GW-100 glasswasher is designed to produce sparkling clean glassware utilizing separate detergent, sanitizer and rinse aid chemical pumps. Standard features include upper and lower wash/rinse arms, wash tank heater, Poly Pro™ conveyor, splash curtains, double-walled construction, and storage space for three 1-gallon containers. The GW-100 is constructed for extended life out of stainless steel.

Advisory: CMA does NOT endorse "Tankless On-Demand" water heaters for use on CMA Dishmachine products. CMA DOES endorse, and highly recommends, the standard "tank" style water heaters, sized properly to handle each particular facility with their water heating requirements.



CMA Dishmachines 12700 Knott Street Garden Grove, CA 92841 • 800-854-6417 • 714-898-8781 • Fax: 714-895-2141 • www.cmadishmachines.com

CMA reserves the right to modify specifications or discontinue models without prior notification.

© 3-2020 CMA, Inc.

