

Item# \_\_\_\_\_  
Project: \_\_\_\_\_  
Qty: \_\_\_\_\_

# Soiled Dish Table



Serv-Ware

## Features

- 304 Series Stainless Steel
- 16 Gauge Construction
- 4½" Backsplash (11" from Deck to Tile Edge)
- 6" Deep Bowls
- 1⅝" Galvanized Legs with Adjustable Foot
- Left and Right Models Available



Serv-Ware  
[www.servware.com](http://www.servware.com)

Phone:(800).768.5953

Fax:(800).976.1299

Revised 1/17

304  
Stainless Steel

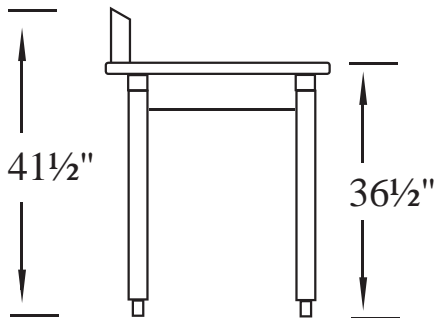
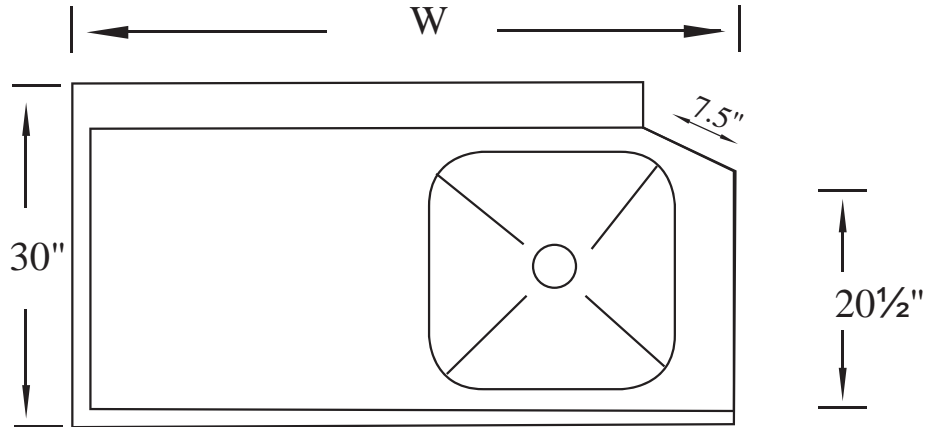


Item# \_\_\_\_\_

Project: \_\_\_\_\_

Qty: \_\_\_\_\_

# Soiled Dish Table



Serv-Ware

<i>Left</i>	<i>Right</i>	<i>Bowl Size</i>	<i>Width</i>	<i>Weightlbs</i>
DDT36L-CWP	DDT36R-CWP	20" x 20" x 6"	36"	48
DDT48L-CWP	DDT48R-CWP	20" x 20" x 6"	48"	60
DDT60L-CWP	DDT60R-CWP	20" x 20" x 6"	60"	68
DDT72L-CWP	DDT72R-CWP	20" x 20" x 6"	72"	80

\*S/S legs optional



Serv-Ware  
www.servware.com

Phone:(800).768.5953

Fax:(800).976.1299

Revised 1/17

