

Item# _____
Project: _____
Qty: _____

Over Shelf for Work Tables



Features

- 18 Gauge, 430 Stainless Steel
- 1" Corner Posts
- Easily Attaches to Worktables
- Individually Boxed
- Ships Knocked Down

Serv-Ware



Serv-Ware
www.servware.com

Phone:(800).768.5953

Fax:(800).976.1299

Revised 1/17

430
Stainless Steel

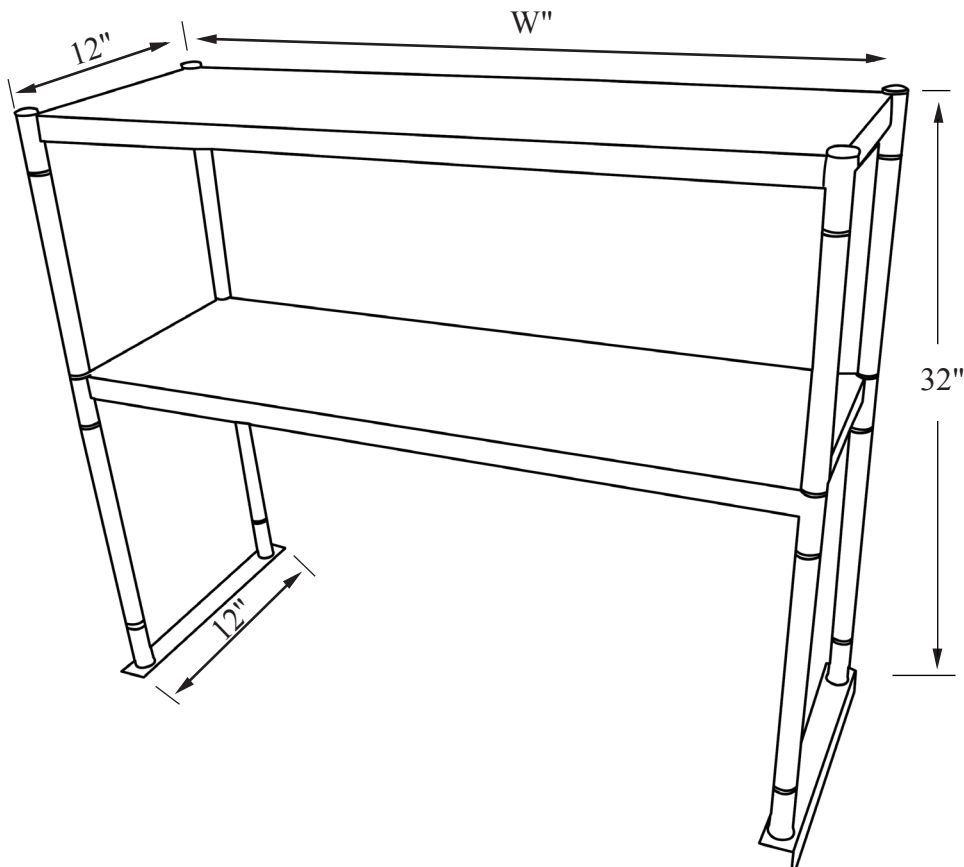


Item# _____

Project: _____

Qty: _____

Over Shelf for Work Tables



Serv-Ware

Model	Width	Weight Capacity	Weight/lbs (Shipping)
OS-3E-CWP	36"	80 lbs.	20
OS-4E-CWP	48"	90 lbs.	25
OS-5E-CWP	60"	100 lbs.	30
OS-6E-CWP	72"	110 lbs.	35



Serv-Ware
www.servware.com

Phone: (800).768.5953

Fax: (800).976.1299

Revised 1/17

