



# SD SERIES

## MACHINE STANDS



SD Series  
08/21/19  
Item # 13025

Item #: \_\_\_\_\_  
 Project: \_\_\_\_\_  
 Qty: \_\_\_\_\_  
 AIA#: \_\_\_\_\_



**SD-200 Stand**  
Shown with a  
DM-200B



**SD-270 Stand**  
Shown with a  
DCM-270BAH-OS



**SD-500 Stand**  
Shown with a  
DCM-500BAH-OS



**SD-750 Stand**  
Shown with a  
DCM-751BAH-OS

### Features

- ▶ Heavy duty stands for floor model icemakers/dispensers
- ▶ Corrosion resistant stainless steel exterior
- ▶ Easy cleaning with attractive appearance

- Locking doors standard

#### Warranty:

5 Year Parts & Labor.  
Valid in United States, Canada, Puerto Rico and U.S. Territories. Contact factory for warranty in other countries.

SD-200 Shipping: (LxWxH)	32.25" x 30.25" X 32.5"	Volume: 18.35ft <sup>3</sup>
SD-270 Shipping: (LxWxH)	26" x 18.75" X 35"	Volume: 9.87ft <sup>3</sup>
SD-500 Shipping: (LxWxH)	27.75" x 24" X 32.50"	Volume: 12.53ft <sup>3</sup>
SD-750 Shipping: (LxWxH)	36" x 30" X 32.5"	Volume: 20.31ft <sup>3</sup>



Intertek

Model Number	Use with Cubelet Icemaker/Dispenser	Exterior Dimensions W* x D* x H (height including legs)	Shipping Weight
SD-200	DM-200B	30 x 32 x 32 <sup>13/16</sup>	105 lbs.
SD-270	DCM-270BAH, DCM270BAH-OS	16 <sup>1/2</sup> x 24 x 35 <sup>3/16</sup>	84 lbs.
SD-500	DCM-300BAH, DCM-300BAH-OS, DCM-500B_H, DCM-500B_H-OS	25 <sup>7/8</sup> x 22 x 32 <sup>3/4</sup>	87 lbs.
SD-750	DCM-751B_H, DCM-751B_H-OS	34 x 28 x 32 <sup>3/4</sup>	109 lbs.

\*Width and depth measurements are for stands and do not include the flanged legs. Add approximately 1".

Hoshizaki reserves the right to change specifications without notice.



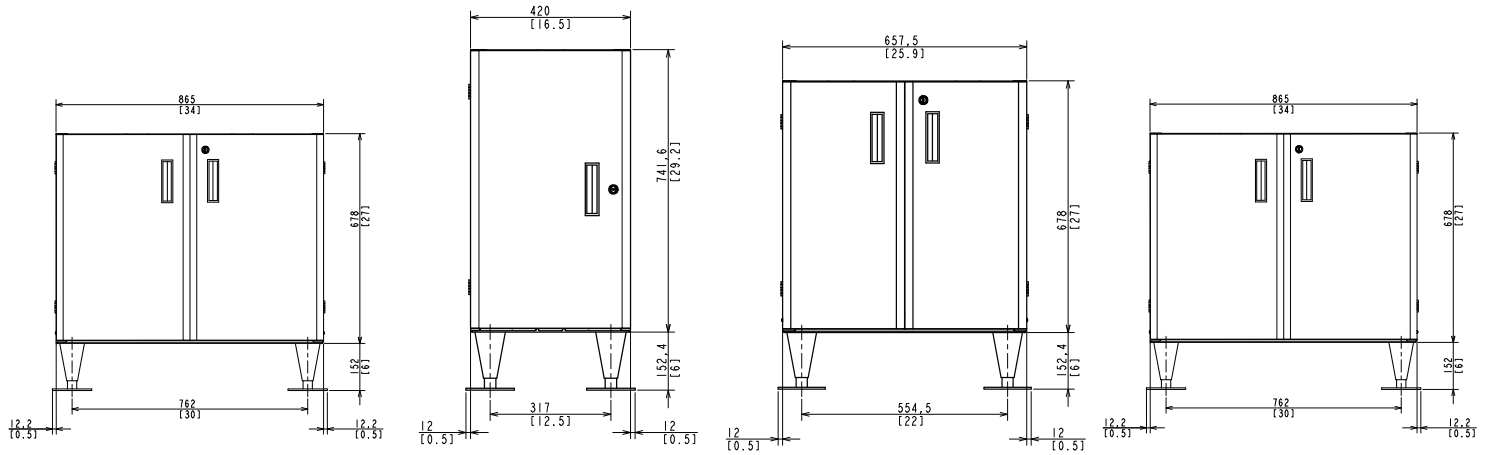
# SD SERIES

## MACHINE STANDS



SD Series  
08/21/19  
Item # 13025

FRONT VIEW



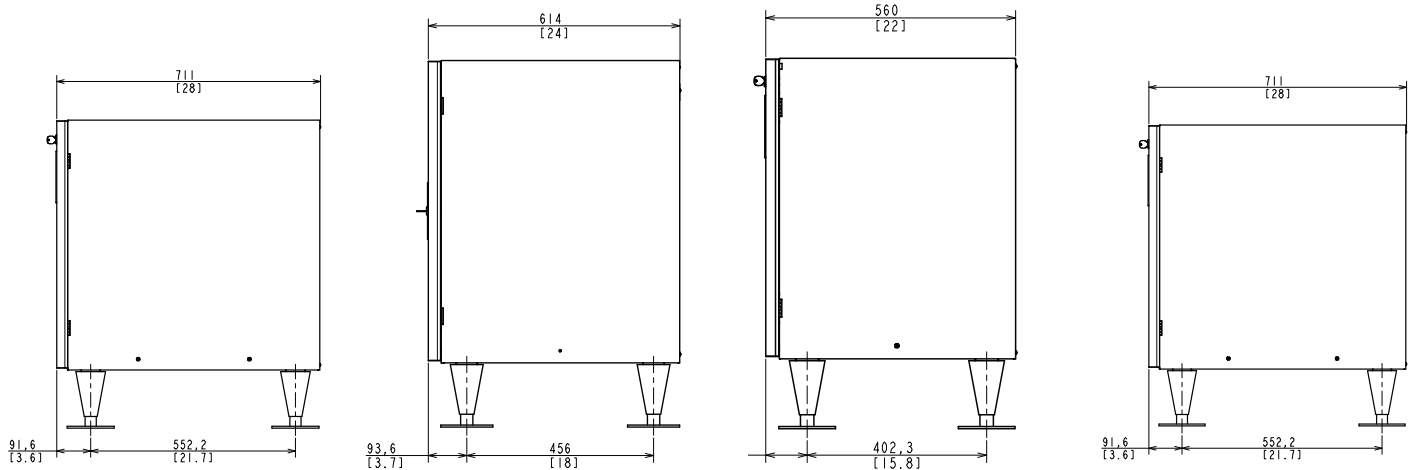
SD-200

SD-270

SD-500

SD-750

SIDE VIEW



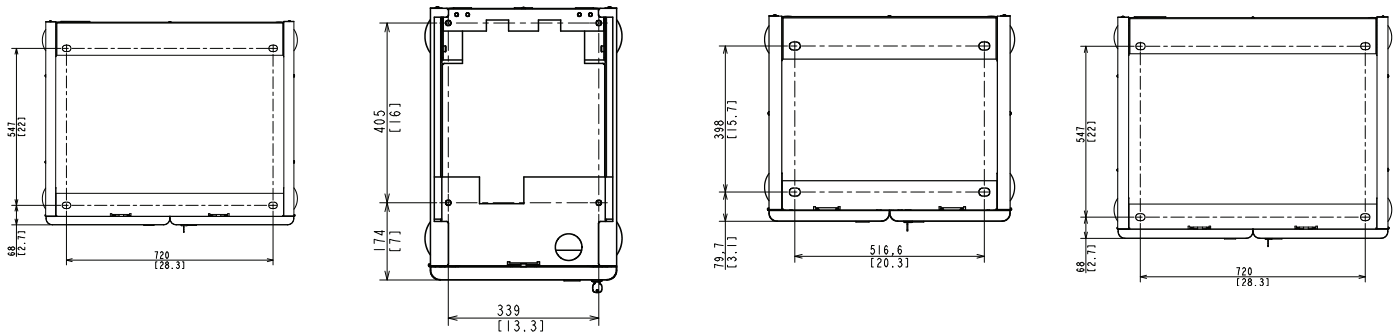
SD-200

SD-270

SD-500

SD-750

TOP VIEW



SD-200

SD-270

SD-500

SD-750

\*Width and depth measurements are for stands and do not include the flanged legs. Add approximately 1".