



# KM-901M\_J(3)

## MODULAR CRESCENT CUBER



KM-901M\_J(3)  
07/08/19  
Item # 13213

Item #: \_\_\_\_\_  
Project: \_\_\_\_\_  
Qty: \_\_\_\_\_  
AIA#: \_\_\_\_\_

**W x D x H**  
30" x 27<sup>3/8</sup>" x 32<sup>1/2</sup>"

### KM Edge DESIGN

#### KM-901MAJ

Air-Cooled

Shown on optional bin B-500

#### KM-901MWJ

Water-Cooled

#### KM-901MRJ ★

Remote Air-Cooled 1 Phase

#### KM-901MRJ3 ★

Remote Air-Cooled 3 Phase



## Features

- ▶ Individual crescent cube
- ▶ Stainless steel evaporator
- ▶ CycleSaver™ design

- Up to 950 lbs. of ice production per 24 hours
- Mount two units, side-by-side, in only 60" of floor space for double the amount of ice production
- Durable stainless steel exterior
- Protected by H-GUARD Plus Antimicrobial Agent
- EverCheck™ alert system
- Removable air filters (Air-cooled model only)
- R-404A Refrigerant

#### Available on Bins:

B-250PF B-700PF/SF B-900PF/SF B-1300SS B-1650SS\*  
B-500PF/SF B-800PF/SF B-1150SS B-1500SS\*

*Top kit may be required. See Bin Spec Sheets. \*Two unit application only.*

#### Warranty:

3 Year Parts & Labor on entire machine. 5 Year Parts & Labor on Evaporator. 5 Year Parts on Compressor; air-cooled condenser coil. Valid in United States, Canada, Puerto Rico and U.S. Territories. Contact factory for warranty in other countries.

Shipping: (LxWxH) 33.5" x 33.25" X 38.5" Volume: 24.82ft<sup>3</sup>

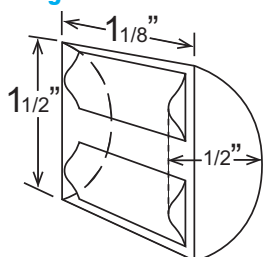


Condenser	Model	ICE PRODUCTION		WATER USAGE			ELECTRICAL			Heat Rejection BTU/hr.	Refrigerant Charge Amount	Net / Ship Weight (lbs.)		
		Air / Water Temp Lbs. per 24 hours 70°/ 50°F	90°/ 70°F	Potable Gal. per 100 lbs. 90°/ 70°F	Condenser Gal. per 100 lbs. 90°/ 70°F	kWh Used per 100 lbs. 90°/ 70°F	Max. Fuse Size or HACR Circuit Breaker	Amperage	Voltage				Circuit Wires (including ground)	
1 Phase	Air	KM-901MAJ	905	753	22.0	N/A	5.0	20A	13A	208-230/60/1	3	13,000	3 lb. 4.9 oz.	228 / 260
	Water	KM-901MWJ	950	870	16.0	113	3.6	20A	10A	208-230/60/1	3	12,700	1 lb. 14 oz.	218 / 250
	Remote	KM-901MRJ	904	853	16.0	N/A	4.5	20A	12A	208-230/60/1	3	12,500	7 lb. 15 oz. 12 lb. 5.5 oz.†	218 / 250
3 Phase	Remote	KM-901MRJ3	927	830	15.0	N/A	4.4	20A	7.1A	208-230/60/3	4	12,000	7 lb. 15 oz. 12 lb. 5.5 oz.†	240 / 250

†(with condenser)

Power cord not included

### KM Edge Cube Dimensions†



\* approximate size in inches, image not to scale

### Operating Limits

- Ambient Temp Range 45 - 100°F
- Water Temp Range 45 - 90°F
- Water Pressure 10 - 113 PSIG
- Voltage Range 187-253V

### Service

- Panels easily removed and all components accessible for service.
- Allow 12" (30 cm) clearance at rear, sides, and top for proper air circulation and ease of maintenance and/or service should they be required.

### Plumbing

- Icemaker Water Supply Line: Min. 1/4" Nominal ID Copper Water Tubing or Equivalent
- Icemaker Drain Line: Min. 3/4" Nominal ID Hard Pipe or Equivalent
- Water-Cooled Model (Lines Must Be Independent of Icemaker)
- Condenser Water Supply Line: Min. 1/4" Nominal ID Copper Water Tubing or Equivalent
- Condenser Drain/Return Line: Min. 1/4" Nominal ID Hard Pipe (open drain system) or Copper Water Tubing (closed loop system) or Equivalent

### Water Filter

Please refer to water filter spec sheet for recommended configurations.

Hoshizaki reserves the right to change specifications without notice.



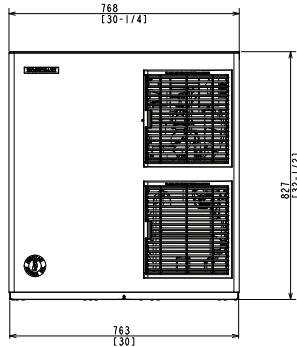
# KM-901M\_J(3)

## MODULAR CRESCENT CUBER

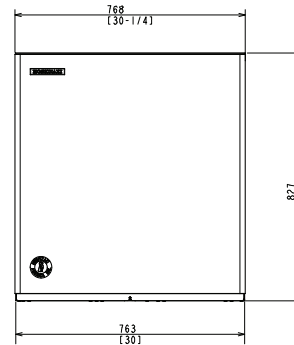


KM-901M\_J(3)  
07/08/19  
Item # 13213

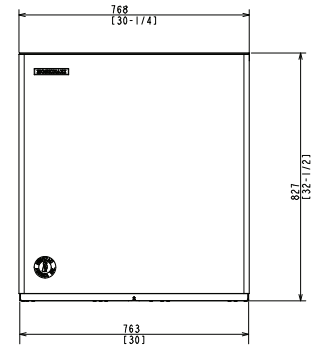
FRONT VIEW



**AIR-COOLED**



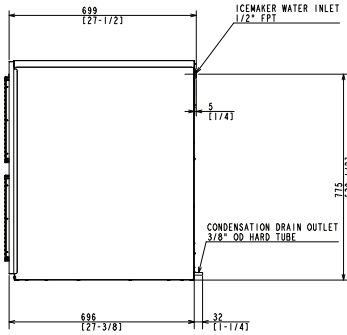
**WATER-COOLED**



**REMOTE AIR-COOLED**

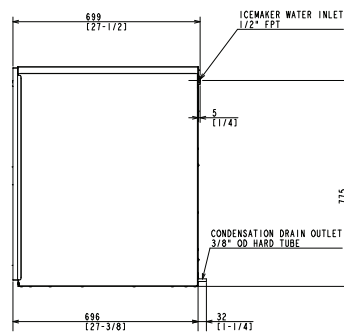
SIDE VIEW

Front →



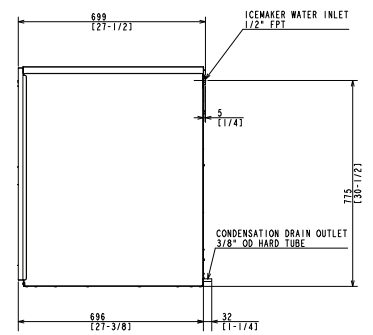
**AIR-COOLED**

Front →



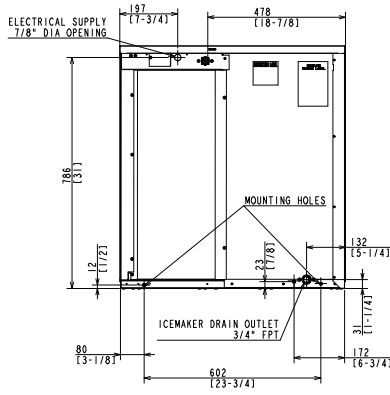
**WATER-COOLED**

Front →

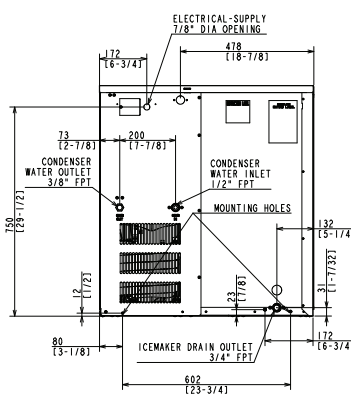


**REMOTE AIR-COOLED**

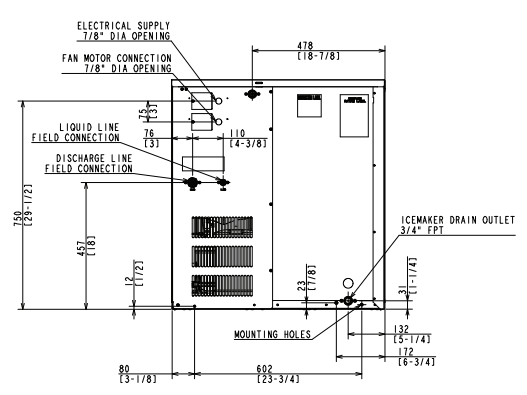
REAR VIEW



**AIR-COOLED**



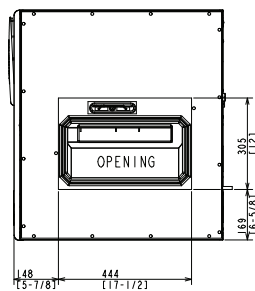
**WATER-COOLED**



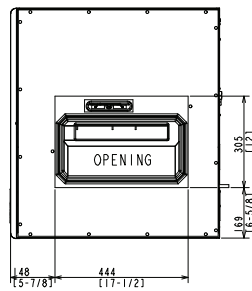
**REMOTE AIR-COOLED**

BOTTOM VIEW

Front →



**AIR-COOLED**



**WATER-COOLED  
REMOTE AIR-COOLED**

**Pre-Charged Tubing Kits**  
(Sold Separately)  
20' R404-2068-2  
35' R404-3568-2  
55' R404-5568-2



Voltage supply for the URC Remote Condenser is supplied from the Ice Maker. No additional circuit is required.

**URC-14F Remote Condenser (Sold Separately)**  
(W x D x H) 35<sup>11/16</sup> x 14<sup>1/16</sup> x 36<sup>1/2</sup>

For Use with KM-901MRJ(3)

