



KM-2600S_J3

3 PHASE STACKABLE ICE CUBER



KM-2600S_J3
6/27/18
Item # 13418

W x D x H
48" x 27^{3/8}" x 36^{7/16}"

Shipping Dimensions
51^{3/4}" x 33" x 42"

KM Edge
SERIES


KM-2600SWJ3
Water-Cooled 3 Phase
Shown on optional bin: B-900



KM-2600SRJ3 ★
Remote Air-Cooled 3 Phase



Item #: _____
Project: _____
Qty: _____
AIA#: _____

Features

- ▶ Individual crescent cube
- ▶ Stainless steel evaporator
- ▶ CycleSaver™ design 

- Up to 2617 lbs. of ice production per 24 hours
- Stackable for 5234 lbs. per 24 hours ice production in the same floor space
- Durable stainless steel exterior
- Protected by H-GUARD Plus® Antimicrobial Agent 
- EverCheck™ alert system 
- R-404A Refrigerant

Available on Bins:

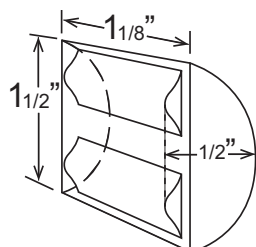
B-800 **B-1150SS** **B-1500SS** *Top kit may be required.*
B-900 **B-1300SS** **B-1650SS** *See Bin Spec Sheets.*

Warranty:

Valid in United States, Canada, Puerto Rico and U.S. Territories.
Contact factory for warranty in other countries.

Condenser	Model	ICE PRODUCTION		WATER USAGE		ELECTRICAL				Circuit Wires (including ground)	Heat Rejection BTU/hr.	Refrigerant Charge Amount	Net / Ship Weight (lbs.)	
		Air / Water Temp Lbs. per 24 hours 70° / 50°F 90° / 70°F	Potable Gal. per 100 lbs. 90° / 70°F	Condenser Gal. per 100 lbs. 90° / 70°F	kWh Used per 100 lbs. 90° / 70°F	Min. Circuit Amp. - Max. Fuse/Breaker	Amperage	Voltage						
3 Phase	Water	KM-2600SWJ3	2482	2480	16.0	87	3.60	30A	12.8A	208-230V/60/3	4	31,600	3 lbs. 7.7 oz.	390 / 440
	Remote	KM-2600SRJ3	2617	2580	16.0	N/A	3.61	30A	20.6A	208-230V/60/3	4	36,000	29 lbs. 8.7 oz. (with condenser)	390 / 440

KM Edge Cube Dimensions*



* approximate size in inches, image not to scale

Operating Limits

- Ambient Temp Range 45 - 100°F
- Water Temp Range 45 - 90°F
- Water Pressure 10 - 113 PSIG
- Voltage Range 187 - 253V

Service

- Panels easily removed and all components accessible for service.
- Allow 6" (15 cm) clearance at rear, sides, and top for proper air circulation and ease of maintenance/service.

Plumbing

- Icemaker Water Supply Line: Min. 3/8" Nominal ID Copper Water Tubing or Equivalent
- Icemaker Drain Line: Min. 3/4" Nominal ID Hard Pipe or Equivalent Water-Cooled Model (Lines Must Be Independent of Icemaker)
- Condenser Water Supply Line: Min. 3/8" Nominal ID Copper Water Tubing or Equivalent
- Condenser Drain/Return Line: Min. 3/8" Nominal ID Hard Pipe (open drain system) or Copper Water Tubing (closed loop system) or Equivalent

Water Filter

Please refer to water filter spec sheet for recommended configurations.

Hoshizaki reserves the right to change specifications without notice.



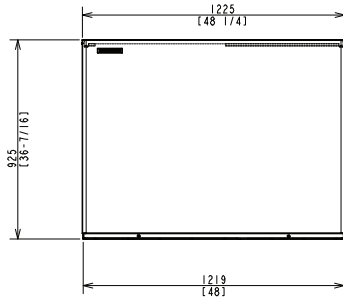
KM-2600S_J3

3 PHASE STACKABLE ICE CUBER

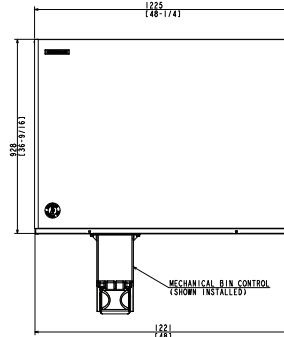


KM-2600S_J3
6/27/18
Item # 13418

FRONT VIEW

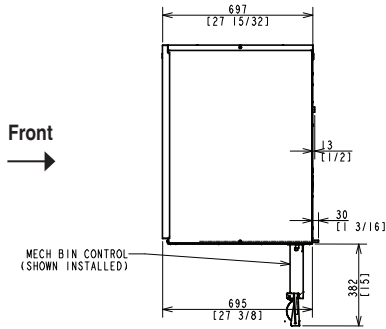


WATER-COOLED

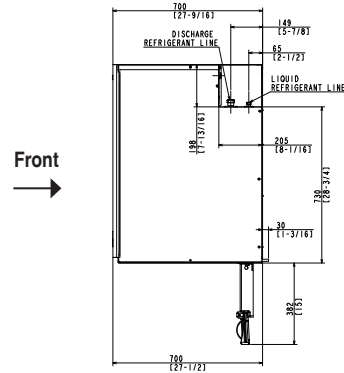


REMOTE AIR-COOLED

SIDE VIEW

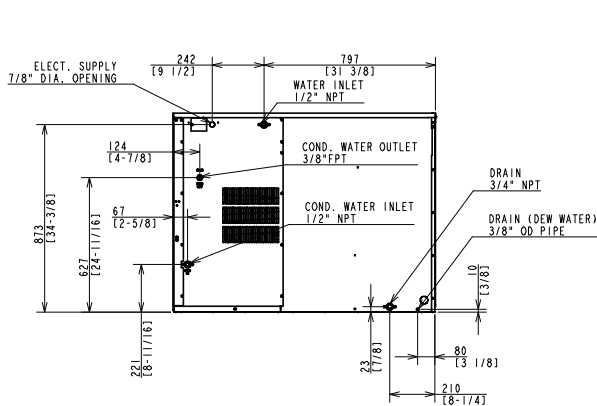


WATER-COOLED

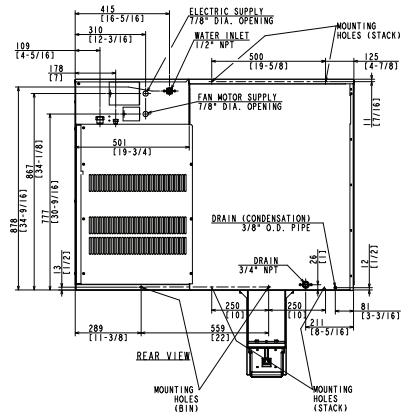


REMOTE AIR-COOLED

REAR VIEW

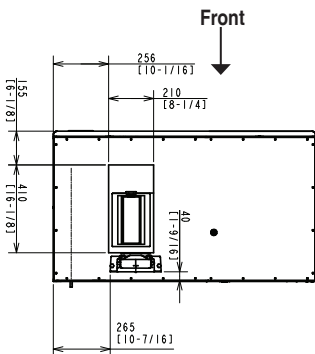


WATER-COOLED

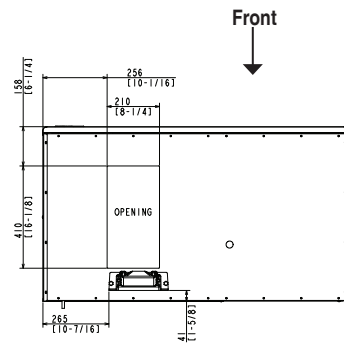


REMOTE AIR-COOLED

BOTTOM VIEW



WATER-COOLED



REMOTE AIR-COOLED

URC-26J Remote Condenser (Sold Separately)
(W x D x H) 46 3/8 X 15 11/16 X 40 1/2
For Use with KM-2600SRJ3

Pre-Charged Tubing Kits (Sold Separately)
20' R404-20610
35' R404-35610
55' R404-55610



Voltage supply for the URC Remote Condenser is supplied from the Ice Maker. No additional circuit is required.

