



F-330BAJ(-C)

SELF-CONTAINED ICE MACHINE BUILT-IN STORAGE BIN



F-330BAJ(-C)
02/05/20
Item # 13200

Item #: _____
Project: _____
Qty: _____
AIA#: _____

W x D x H
24" x 26" x 39"*

*with 6" legs

Shipping Dimensions
33" x 25^{1/4}" x 38^{1/2}"



F-330BAJ
Air-Cooled

F-330BAJ-C
Air-Cooled



Features

- ▶ Front breathing allows for easier fit into tight spaces
- ▶ Durable stainless steel exterior
- ▶ Stainless steel auger with greaseless bearing

- F-330BAJ - Up to 332 lbs. of ice production per 24 hrs.
- F-330BAJ-C - Up to 288 lbs. of ice production per 24 hrs.
- Built-in storage capacity of 2.7ft³/80 lbs.*
- Advanced CleanCycle24™ design 
- 2 second flush cycle every hour
- Convenient drop down door
- Protected by H-GUARD Plus® Antimicrobial Agent 
- Front access for easier maintenance
- Removable air filters
- Equipped with 8 ft. cord with NEMA 5-15P Plug
- R-404A Refrigerant

Warranty:

3 Year Parts & Labor on entire machine. 5 Year Parts on Compressor; air-cooled condenser coil. Valid in United States, Canada, Puerto Rico and U.S. Territories. Contact factory for warranty in other countries.

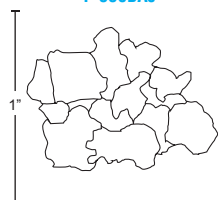
*Rated in accordance with AHRI Standard 820(I-P). Capacity based on 100% of total volume x 30 lb/ft³ average density of ice.



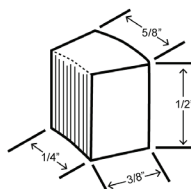
| Condenser | Model | ICE PRODUCTION | | WATER USAGE | | ELECTRICAL | | | | Heat Rejection BTU/hr. | Refrigerant Charge Amount | Net / Ship Weight (lbs.) |
|-----------|-------------------------|--|-----|--|--|--------------------------------------|--|----------|-----------|---------------------------|------------------------------|-----------------------------|
| | | Air / Water Temp Lbs. per 24 hours 70°/50°F 90°/70°F | | Potable Gal. per 100 lbs. 90°/70°F | Condenser Gal. per 100 lbs. 90°/70°F | kWh Used per 100 lbs. 90°/70°F | Max. Fuse Sz or HACR Circuit Bkr | Amperage | Voltage | | | |
| Air | F-330BAJ (Flaker) | 332 | 243 | 12.0 | N/A | 5.91 | 15A | 6.9A | 115V/60/1 | 3,400 | 7.1 oz | 147 / 178 |
| Air | F-330BAJ-C (Cubelet) | 288 | 214 | 12.0 | N/A | 7.30 | 15A | 7.1A | 115V/60/1 | 3,400 | 7.1 oz | 148 / 178 |

Cube Dimensions*

Flaked
F-330BAJ



Cubelet
F-330BAJ-C



* approximate size in inches, image not to scale

Operating Limits

- Ambient Temp Range 45 - 100°F
- Water Temp Range 45 - 90°F
- Water Pressure 10 - 113 PSIG
- Voltage Range 104-127V

Service

- Panels easily removed and all components accessible for service.
- Removable/cleanable air filter (Air-cooled model only)
- Allow 24" (61 cm) clearance at top for removal of auger.
- Appliance should not be located next to high heat producing equipment.

Plumbing

- Icemaker Water Supply Line: Minimum 1/4" Nominal ID Copper Water Tubing or Equivalent
- Icemaker Drain Line: Minimum 3/4" Nominal ID Hard Pipe or Equivalent



F-330BAJ(-C)

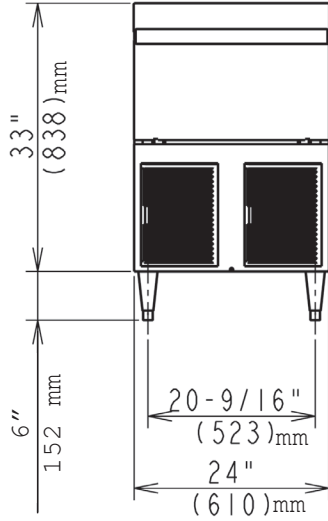
**SELF-CONTAINED ICE MACHINE
BUILT-IN STORAGE BIN**



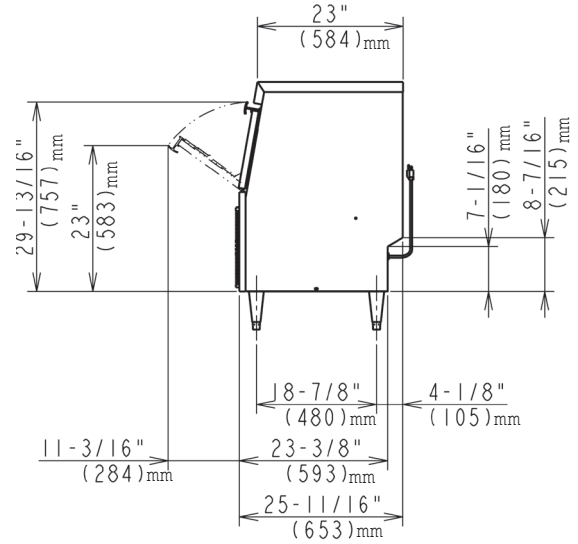
F-330BAJ(-C)
02/05/20
Item # 13200

inch
(mm)

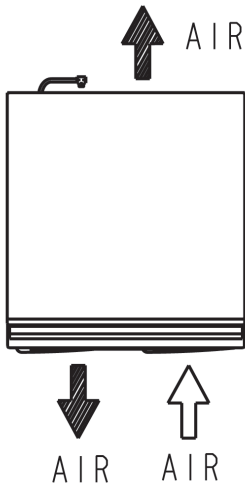
FRONT VIEW
AIR-COOLED



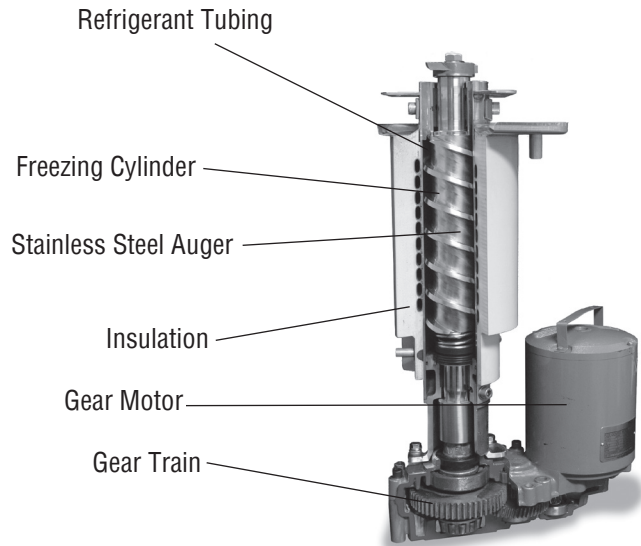
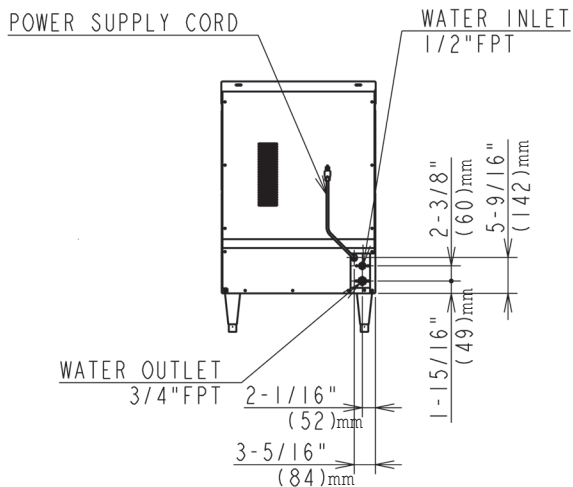
SIDE VIEW



TOP VIEW
AIR-COOLED



REAR VIEW
AIR-COOLED



EVAPORATOR