



# DCM-270BAH-OS

## OPTI-SERVE SERIES SANITARY CUBELET ICE MACHINE/DISPENSER



DCM-270BAH-OS  
02/10/20  
Item # 13159

Item #: \_\_\_\_\_  
 Project: \_\_\_\_\_  
 Qty: \_\_\_\_\_  
 AIA#: \_\_\_\_\_

**W x D x H**  
**16<sup>9</sup>/<sub>16</sub>" x 24<sup>1</sup>/<sub>8</sub>" x 31<sup>11</sup>/<sub>16</sub>" \***  
 \*with 4" legs

**SD-270**  
**16<sup>1</sup>/<sub>2</sub>" x 24" x 35<sup>3</sup>/<sub>16</sub>"**

Ice Machine Shipping Dimensions  
30<sup>1</sup>/<sub>2</sub>" x 20<sup>3</sup>/<sub>4</sub>" x 37<sup>1</sup>/<sub>2</sub>"


**DCM-270BAH-OS**  
Air-Cooled  
Shown with optional  
SD-270 Stand


\*SD-270 door is reversible

*\*Hands-free sensor designed for use  
with opaque containers.  
Not intended for outdoor use - avoid  
placement in direct sunlight.*



### Features

- ▶ Durable stainless steel exterior
- ▶ Advanced CleanCycle24™ design 
- ▶ Stainless steel auger with greaseless bearing

- Up to 288 lbs. of ice production per 24 hours
- Built-in storage capacity of 0.3ft<sup>3</sup>/10 lbs.\*
- 2 second flush cycle every hour
- Easy to chew, cubelet ice
- Sealed LED housing prevents moisture from entering, eliminating the possibility of an electrical short
- Self-contained design reducing opportunities for cross contamination
- Flush cycle removes sediment for cleaner ice
- Protected by H-GUARD Plus Antimicrobial Agent 
- Dispenses ice and water
- 6 ft. cord with a NEMA 5-15 plug
- R-404A Refrigerant

#### Warranty:

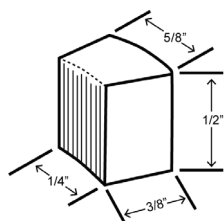
3 Year Parts & Labor on entire machine. 5 Year Parts on Compressor; air-cooled condenser coil. Valid in United States, Canada, Puerto Rico and U.S. Territories. Contact factory for warranty in other countries.

\*Rated in accordance with AHRI Standard 820(I-P). Capacity based on 100% of total volume x 30 lb/ft<sup>3</sup> average density of ice.



Condenser	Model	ICE PRODUCTION		WATER USAGE		ELECTRICAL			Heat Rejection BTU/hr.	Refrigerant Charge Amount	Net / Ship Weight (lbs.)	
		Air / Water Temp Lbs. per 24 hours 70°/ 50°F 90°/ 70°F		Potable Gal. per 100 lbs. 90°/ 70°F	Condenser Gal. per 100 lbs. 90°/ 70°F	kWh Used per 100 lbs. 90°/ 70°F	Max. Fuse Size or HACR Circuit Breaker	Amperage				Voltage
Air-Cooled	DCM-270BAH-OS	288	220	12.0	N/A	7.3	15A	8.5A	115V/60/1	3,532	14.8 oz	152 / 170

### Cubelet Dimensions\*



\* approximate size in inches, image not to scale

### Operating Limits

- Ambient Temp Range 45 - 100°F
- Water Temp Range 45 - 90°F
- Water Pressure 10 - 113 PSIG
- Voltage Range 104 - 127V

### Service

- Allow 6" (15cm) clearance at rear and left side, 10" (25cm) at right side, and 20" (51cm) at top for proper air circulation and ease of maintenance/ service should they be required.

*Not intended for outdoor use - avoid placement in direct sunlight.*

### Plumbing

- Icemaker Water Supply Line: Minimum 1/4" Nominal ID Copper Water Tubing or Equivalent
- Icemaker Drain Line: Minimum 3/4" Nominal ID Hard Pipe or Equivalent

### Water Filter

*Please refer to water filter specification sheet for recommendations.*

*Hoshizaki reserves the right to change specifications without notice.*



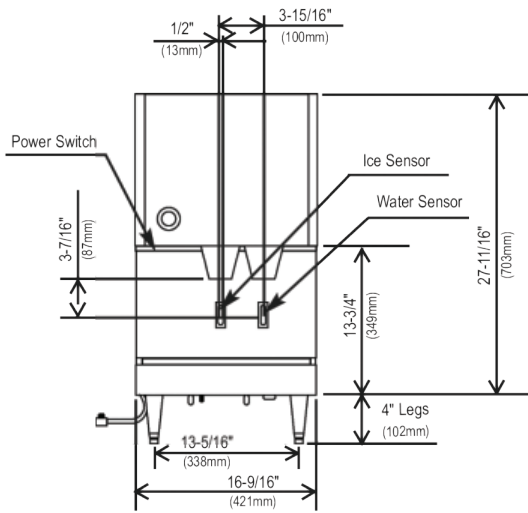
# DCM-270BAH-OS

## OPTI-SERVE SERIES SANITARY CUBELET ICE MACHINE/DISPENSER



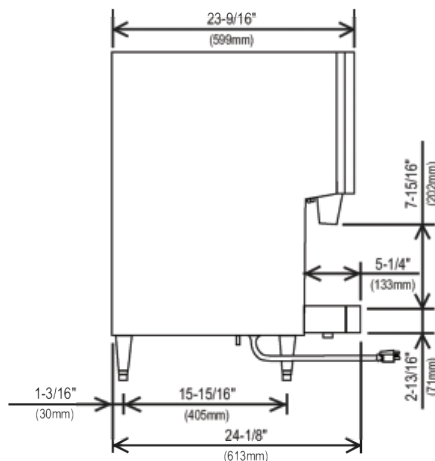
DCM-270BAH-OS  
02/10/20  
Item # 13159

FRONT VIEW



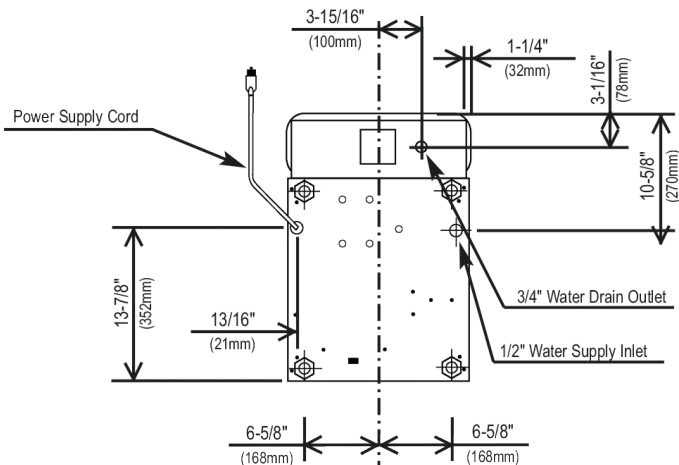
AIR-COOLED

SIDE VIEW



AIR-COOLED

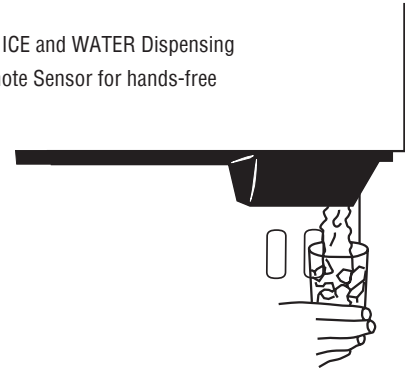
BOTTOM VIEW



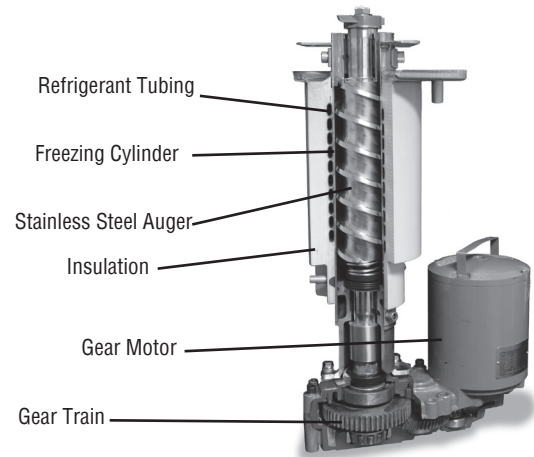
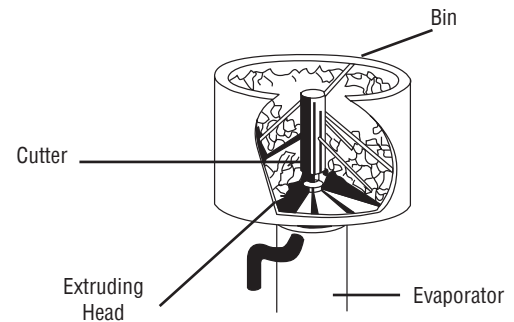
AIR-COOLED

inch  
[mm]

- Separate ICE and WATER Dispensing
- LED Remote Sensor for hands-free operation



Flaked ice compacted into cubelets by extruding head cutter and stored in an insulated bin with continuous agitation during dispensing and direct dispensing auger



EVAPORATOR

- Circuit breaker or fuse protects gear motor from overload.
- Gear motor runs one minute after termination of ice making to clear all ice from evaporator.