

Model 5CD by

CORNER DOUBLE



Model 5CD

**DOUBLE RACK
CAPACITY IN
A LIMITED SPACE...!**

*Top mount control cabinet
complete with automatic
chemical system always
ensures constant use of
chemicals which provide
sparkling results.*



***This Double Duty Model fits into the corner
of your Dishwashing area and washes
74 Racks Per Hour***

At American Dish Service, Quality People, Designs,
and Products have been the foundations of our
organization for over **45 years**.

www.americandish.com

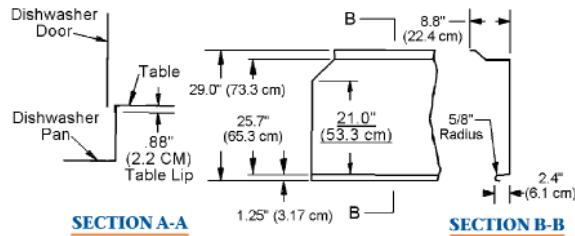
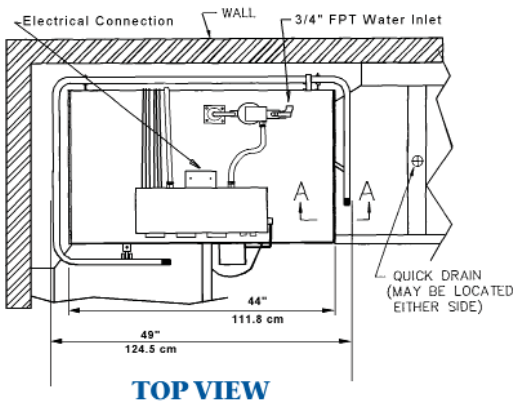


American Dish Service
Manufacturers of Ware Washing Equipment

900 Blake Street Edwardsville, KS 66111-3820 **Toll Free (800) 922-2178** **Phone (913) 422-3700** **Fax (913) 422-6630**

Model 5-CD

- Cleans 74 Racks Per Hour
- Great Door Clearance at 20 1/2"
- Stainless Steel Air Gap
- Quick Release Spray Arms
- Built-in Scrap Accumulator
- 1 1/2 HP Wash/Rinse Pump
- Available Right Front or Left Front Installations
- Automatic Chemical Dispensing
- 90 Second Complete Time Cycle
- Auto Start with Door Safety Switch
- Delime Switch located in Control Panel
- Smooth Door Operation
- Dual Screening Protects Pump
- Available with Chemical Alarms

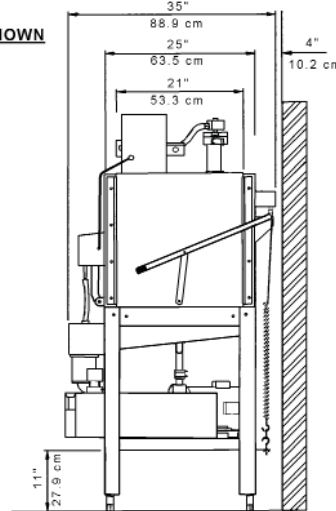
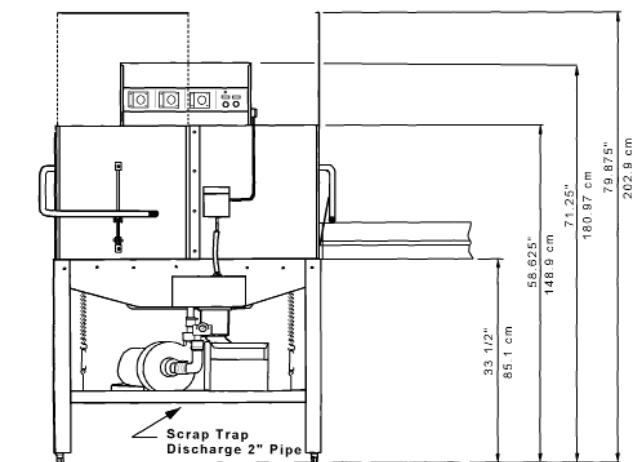


CAUTION:

Electrical and plumbing connections should be made by a qualified Service Person who will comply with all available federal, state, and local health, Electrical, Plumbing, and Safety codes.

TOP VIEW
TYPICAL TABLE DETAILS

NOTE: LEFT FRONT ENTRY SHOWN



Model 5-CD
Specifications

Model 5-CD

RATED CAPACITY (Racks Per Hour)	74
WASH TIME (Sec.)	45
RINSE TIME (Sec.)	30
DWELL (Sec.)	15
TOTAL CYCLE TIME (Sec.)	90
WASH TANK CAPACITY (Min.)	3.2 Gallons 12.1 Liters
WATER TEMPERATURE	120 Deg. F Min. 49 Deg. C Min.
WATER CONSUMPTION	3.2 Gallons Per Cycle 12.1 Liters Per Cycle
MOTOR	1.5 HP 1.125 KW
ELECTRICAL RATINGS	115 Volts Single Phase 20 Amps
Connect to Supply Source using 10-12 AWG Copper wires using non-time delay fuse of 20 amp rating or 20 amp circuit breaker.	
RACK SIZE (2)	19 3/4" x 19 3/4" 50.2 x 50.2 cm 20 1/2" x 21" 52.07 x 53 cm
DOOR CLEARANCE	3/4" FPT 2" Pipe
WATER INLET	3/4" FPT
DRAIN (Scrap Trap)	2" Pipe
HEIGHT (Doors Open)	79.875"
HEIGHT (Doors Closed)	71.25"
WIDTH (Overall)	49"
DEPTH (Overall)	124.5 cm 34"
SHIPPING WEIGHT	86.4 cm 410 lbs. 186 kg
SHIPPING DIMENSIONS	60" L x 36" W x 78" H 152.4 cm x 91.4 cm x 198.1 cm

Effective: 10/2010

*Manufacturer reserves the right to modify these specifications in compliance with regulatory agencies and manufacturing expediency

© 10/2010

WARNING: Cancer and Reproductive Harm - www.P65Warnings.ca.gov

ADS has built a strong history based on Customer Service, Quality and Reliability. A Commitment to Excellence is the driving force behind American Dish Service.

Toll Free

Phone

Fax

900 Blake Street Edwardsville, KS 66111-3820

(800) 922-2178 (913) 422-3700 (913) 422-6630